

SKA FABRICATING A & E IONIZED AIR RINSER



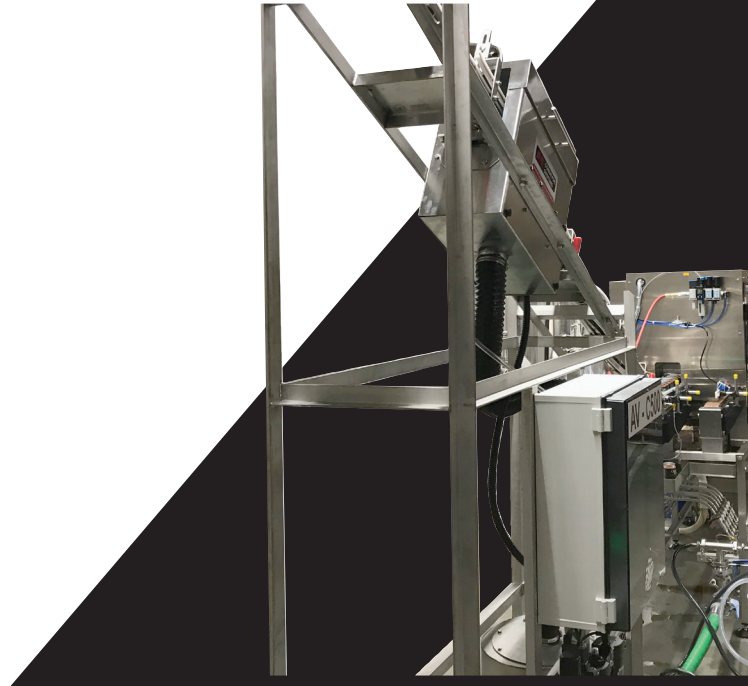
A&E Conveyor Systems has pioneered the waterless rinsing technology. They were the first company to introduce a commercially acceptable system for replacing conventional water rinsing systems. Historically the industry has used a simple water rinse ever since the introduction of non-returnable containers. The Ionized Air Rinser is recommended for all lines running at 110 CPM or higher.

STANDARD FEATURES

- Patented Air-Vac rinsing manifold
- Three stage air filtration
- Advanced ionization system with internal diagnostics
- Pressurized rinser chamber
- Fully inverted container
- Vacuum collections system
- Self contained controls with alarm beacon
- PowerAV-C500: 120V-1Ph-60Hz
- PowerAV-C750: 460v-3ph-60hz•
- PowerAV-C1000: 460v-3ph-60hz
- Air Requirements: 3-4 CFM at 80PSI

ADVANTAGES

- Improve quality
- Conserve water
- Eliminate residual water issues
- Reduce risk of micro-biological contamination
- Reduce sanitation requirements
- Reduce maintenance requirements
- Safety



The A&E system uses an advanced ionization process that has built in diagnostic features along with an internal alarm function to provide assurances that the ionization system is operating correctly. The Air-Vac and the Advanced Ionization Controls are the two key elements that differentiate any other air rinse system from an A&E Pur-Rinse system.

CONTACT INFO

For Sales

Call: (877) 340-2337

Email: sales@skafabricating.com

Other Inquiries

Call: (970) 403-8562

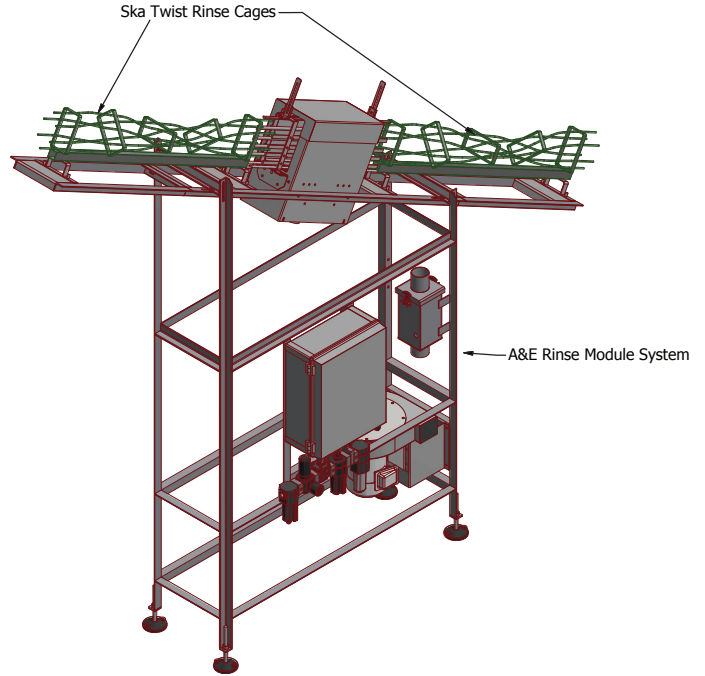
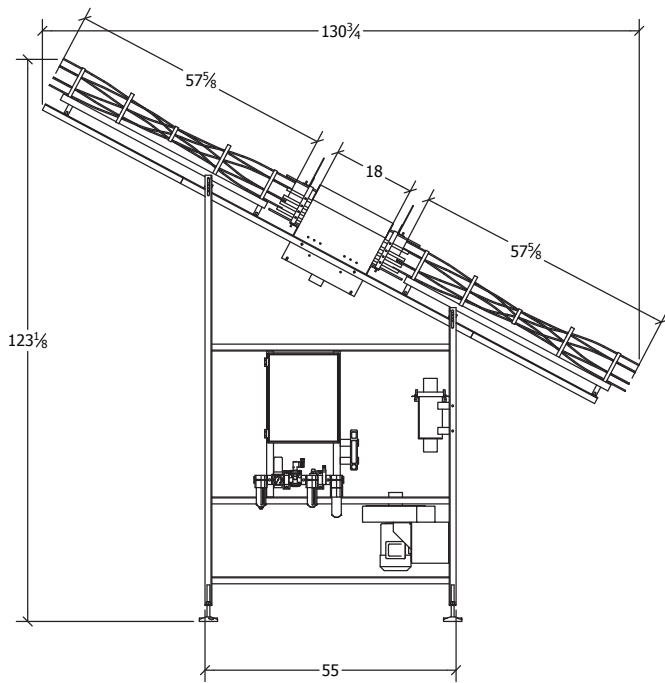
Email: info@skafabricating.com

Online: www.skafabricating.com

Address

545 Turner Dr., Suite A
Durango, Colorado 81303

SKA FABRICATING A & E IONIZED AIR RINSER SPECS



Module	Feature	AV-C500	AV-C750	AVC-1000
Air-Vac Manifold	<ul style="list-style-type: none"> 2 Air Ionizing Jets / With Vac Port 4 Air Ionizing Jets / 8 Vac Ports 8 Air Ionizing Jets / 8 Vac Ports 	Standard N/A N/A	N/A Standard N/A	N/A N/A Standard
Ionization System	<ul style="list-style-type: none"> Meech 233v3 Pulse Steady State DC with Alarm Status Meech AE978v2 Self Monitoring with Alarm Status 	Standard N/A	N/A Standard	N/A Standard
Compressed Air System	<ul style="list-style-type: none"> 3 Stage Filtration, Pressure Regulator, and Auto Shutoff Solenoid 	Standard	Standard	Standard
Vacuum System	<ul style="list-style-type: none"> Collection Filter, 1 Vacuum Blower Collection Filter, 1.5 HP Vacuum Blower 	Standard N/A	N/A Standard	N/A Standard
Enclosure Pressurization	<ul style="list-style-type: none"> Pressure Blower, 1.5HP Intake Filter/Silencer 	N/A	Standard	Standard
Control Panel	<ul style="list-style-type: none"> Starter Panel, Local Motor Disconnects, Interlocks, Alarm beacon stack light Starter Panel, Local Motor Disconnects, Interlocks 	Standard N/A	N/A Standard	N/A Standard
Can Fittings	<ul style="list-style-type: none"> Inverter Twists, Gravity Track 	Option	Option	Option
Fault Monitoring System	<ul style="list-style-type: none"> PLC Based Monitoring System With HMI Display, and Sensor Kits for Compressed Air, Vacuum and Ionization System 	N/A	Option	Option
Access Platforms	<ul style="list-style-type: none"> Stainless Steel Construction-Non Slip Plate 	Option	Option	Option