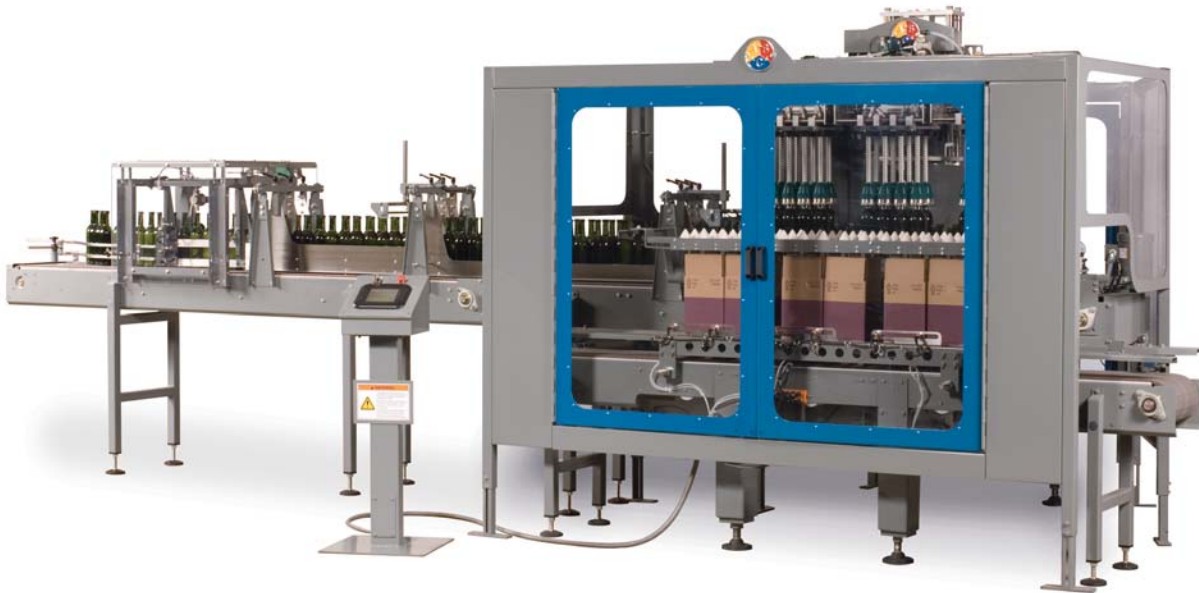


# Model 101 Pick & Place Packer/ Unpacker

Packer or uncaser for glass or plastic containers, cans or cartons



*For high volume operation in a small footprint machine, choose the Model 101 case packer/uncaser!*

The key to maintaining maximum package quality in case packing or uncasing lies in gentle product handling and precise operation. A-B-C pick and place machines provide both. Synchronized servo operation keeps containers completely under control from conveyor to case. And A-B-C's Intelligent Control electronics precisely implement all operating

commands for accurate placement-- and provide instant response to changing production conditions. A-B-C's sensible engineering and quality construction are your assurance of long term operation with minimum maintenance. Experience how our commitment to quality and innovation can have an outstanding effect on your packaging productivity!



**A-B-C PACKAGING  
MACHINE CORPORATION**

# Model 101 Pick & Place Packer/ Unpacker

Packer or uncaser for glass or plastic containers, cans or cartons



### Robotic motion provides gentle handling

- Servo operation provides precise container placement, to ensure maximum label and container integrity
- NO DROP- containers are released only upon contact with case or conveyor, providing:
  - Improved bottle stability when handling lightweight plastic containers
  - Reduced risk of breakage when handling glass
  - Gentle handling of heavy, industrial-sized containers
  - Offers packagers the option to "thinwall" containers without sacrificing packaging performance



### Intelligent Control for top performance

- Non-contact sensors monitor machine operation, providing instant response to changing conditions
- All machine actions are controlled by PLC for precise operation
- Robot head is programmed to travel the shortest path from case to conveyor and back, for maximum efficiency



### Touch screen panel gives you total control

The touch screen control panel puts real-time operating data at your fingertips and offers simple, request-confirm sequences for revising production parameters or machine diagnostics. All functions may be operated independently from the touch screen, with return to automatic operation at any time.



### Designed for quick changeover

To facilitate the fastest changeover for every customer, A-B-C provides complete gripper assemblies or an adjustable head, depending on the application. Guide rails are adjusted by locking slides. Changeover is completed at the touchscreen control panel by simply choosing the new container size.

- **RELIABLE**
- **VERSATILE WITH QUICK CHANGEOVER**
- **FEATURES TO ENSURE CONTAINER INTEGRITY**
- **COMPACT**

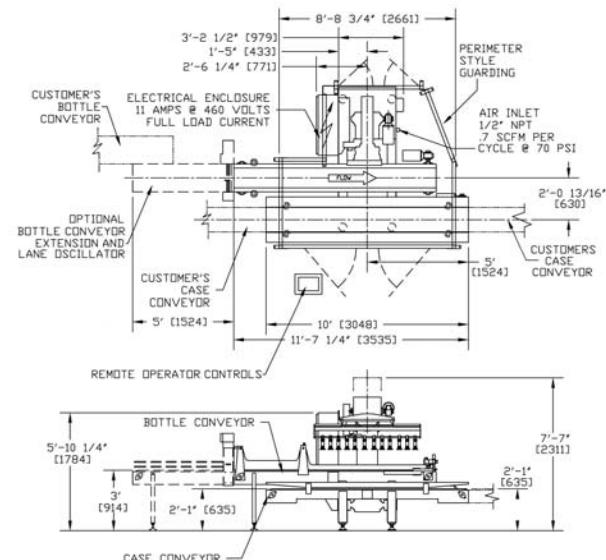
### Built with A-B-C Quality and Craftsmanship

Standard features include:

- Heavy gauge steel frame
- Intelligent Control (PLC) of all machine functions
- Solid state proximity sensors with quick-disconnect fittings
- Photo eyes w/background suppression
- Color touchscreen control panel
- Manual operation of all functions
- SEW Eurodrive motor for main horizontal movement
- Servo motor for vertical head movement

### Many container handling devices available

A full range of pickup devices are available to handle many different container types. Pneumatic, vacuum or mechanical grippers may be used depending on the product characteristics.



All information in this brochure was current at time of printing, however, in the continuing effort to improve the quality and construction of A-B-C equipment, we reserve the right to make changes without notice.  
C-134-4/07 Litho in U.S.A.



## A-B-C PACKAGING MACHINE CORPORATION

811 Live Oak St., Tarpon Springs, FL 34689-4199 USA • Phone 727-937-5144 • Fax 727-938-1239 • [www.abcpackaging.com](http://www.abcpackaging.com)

